
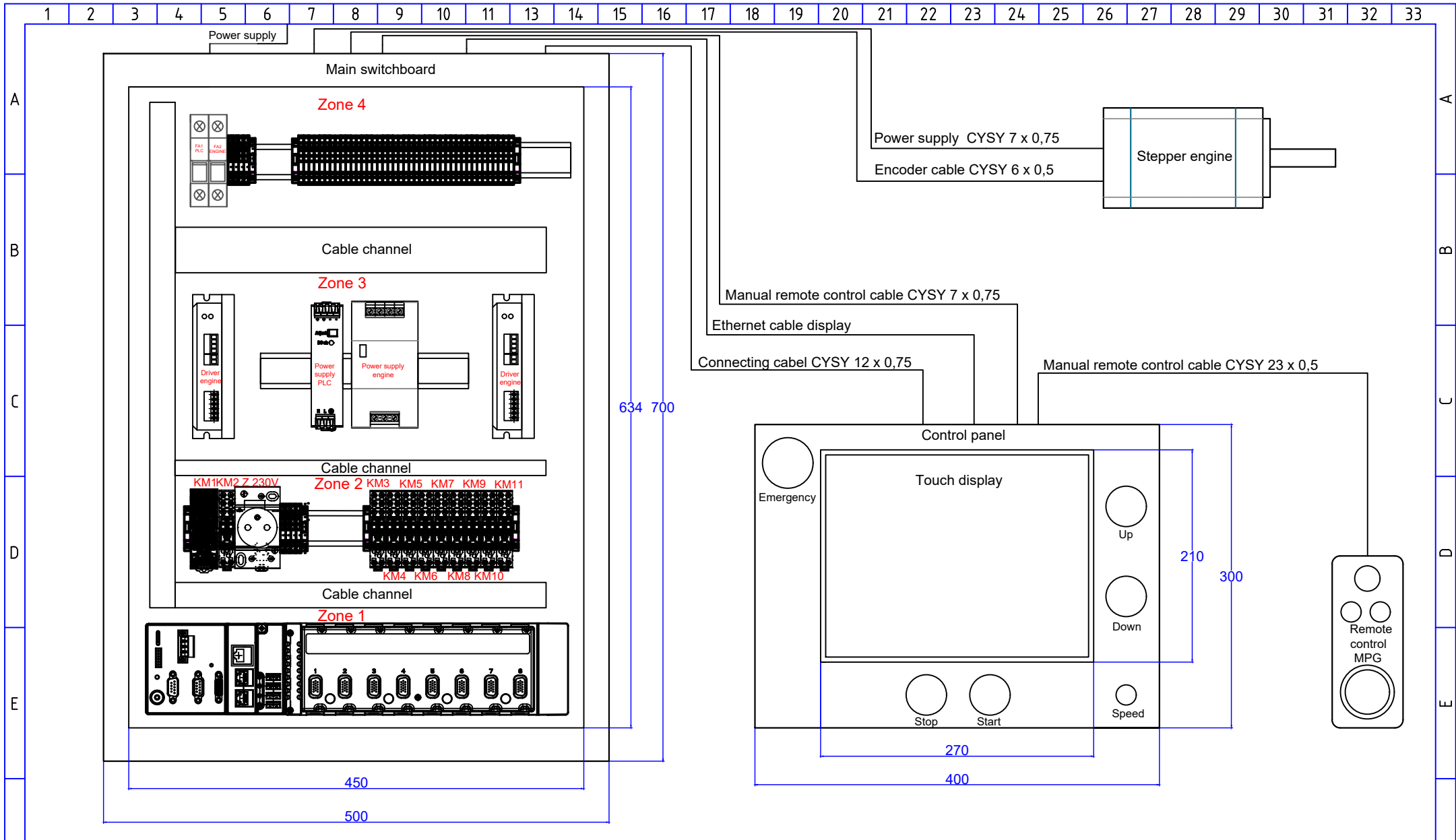


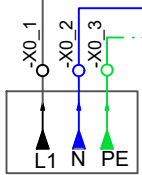
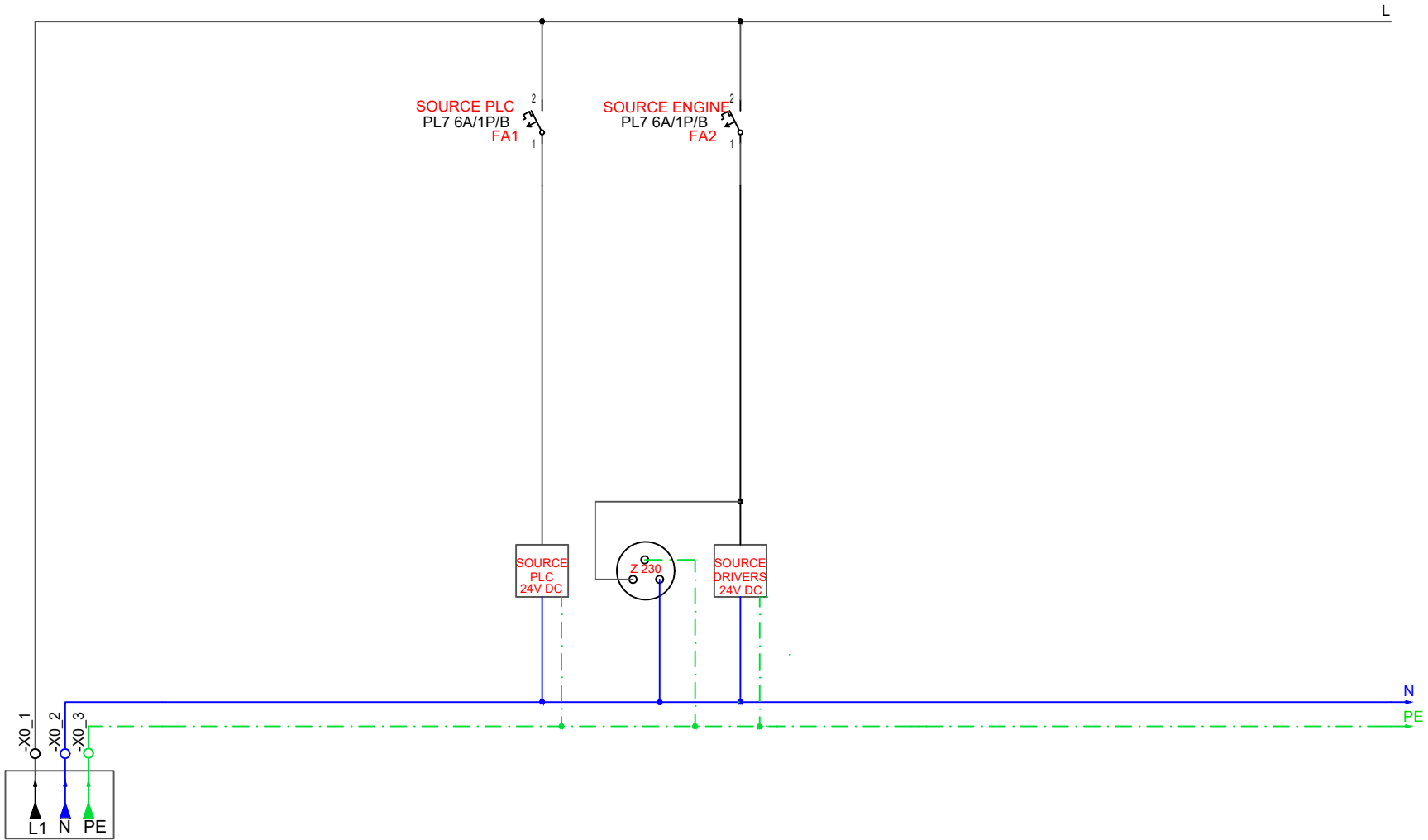
# Manipulator for cold crucible

Sheet cover  
 Power panel layout  
 Wiring diagram  
 Card wiring diagram  
 Bill of material

					Datum	Name				Projekt		Sheet
					Edit	26.3.2020	KNEDLIK			Manipulator for cold crucible	Cover sheet	1
					Contr.	26.3.2020	KNEDLIK					
Modification	Date	Name	Norm		Contract Nr.:							



				Datum	Name		Projekt	Power panel layout	Sheet	
Edit				26.3.2020	KNEDLIK				Manipulator for cold crucible	2
Contr.				26.3.2020	KNEDLIK					
Modification	Date	Name	Norm	Contract Nr.:						



				Datum	Name		Projekt	Wiring diagram	Sheet	
				Edit	KNEDLIK				Manipulator for cold crucible	3
				Contr.	KNEDLIK					
Modification	Date	Name	Norm	Contract Nr.:						

1 2 3 4 5 6 7 8 9 10 11 13 14 15 16 17 18 19 20 21 22 23 24 25 26 27 28 29 30 31 32 33

A

B

C

D

E

F

A

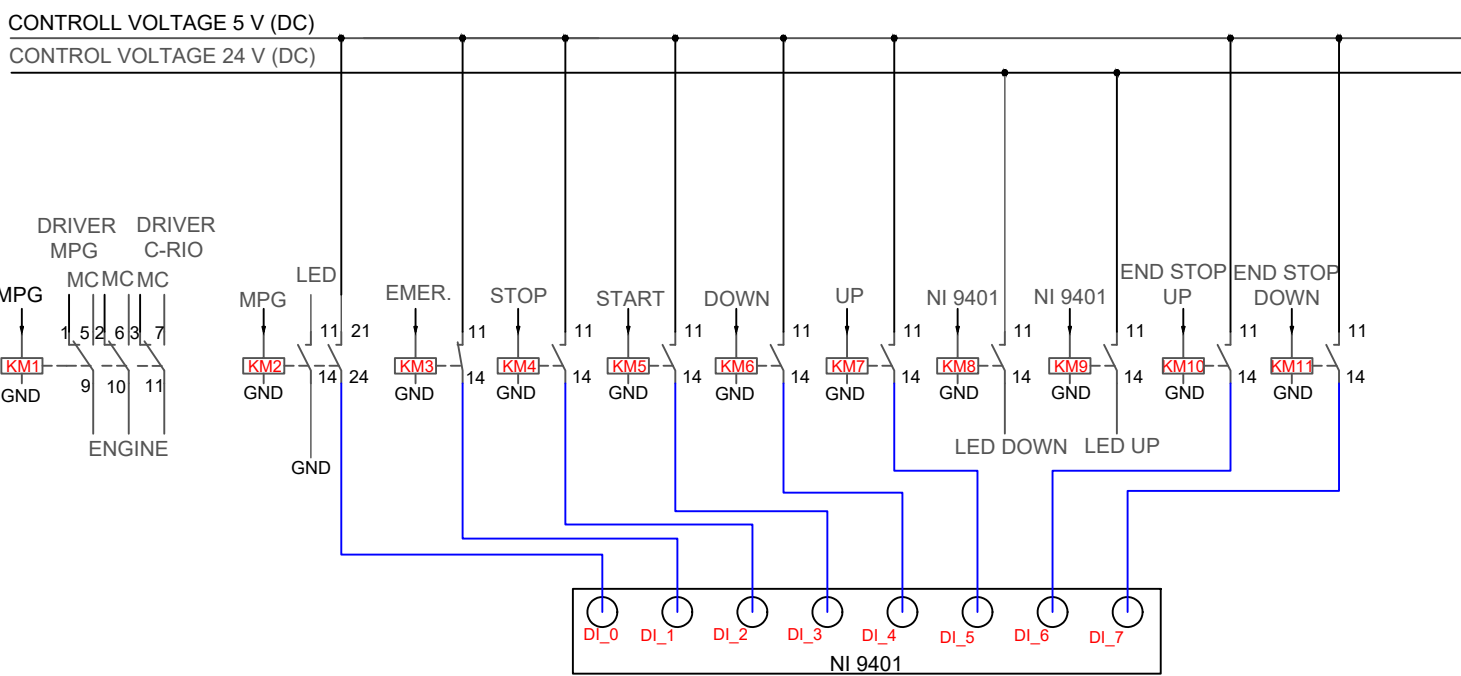
B

C

D

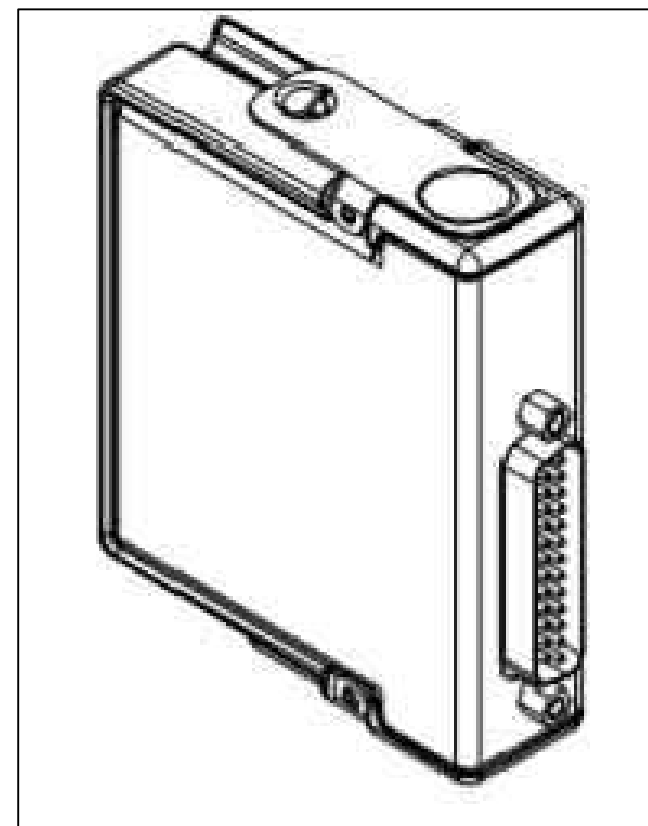
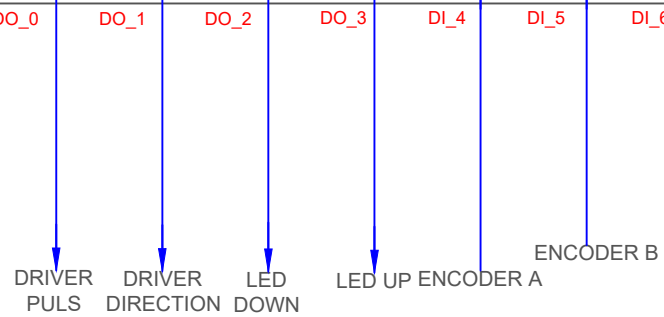
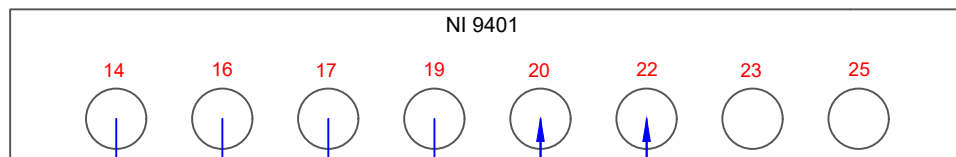
E


F



				Datum	Name		Projekt	Wiring diagram	Sheet
		Edit	26.3.2020	KNEDLIK	Manipulator for cold crucible		4		
		Contr.	26.3.2020	KNEDLIK					
Modification	Date	Name	Norm	Contract Nr.:					

1 2 3 4 5 6 7 8 9 10 11 13 14 15 16 17 18 19 20 21 22 23 24 25 26 27 28 29 30 31 32 33

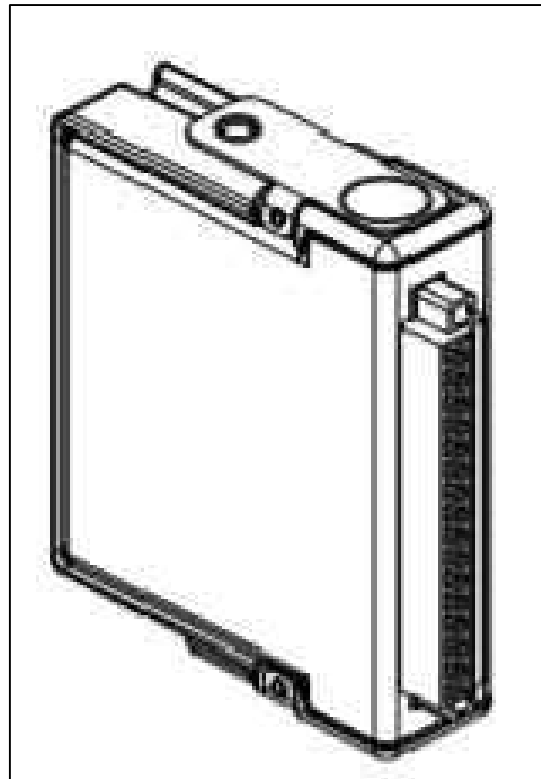
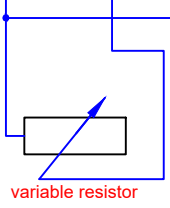
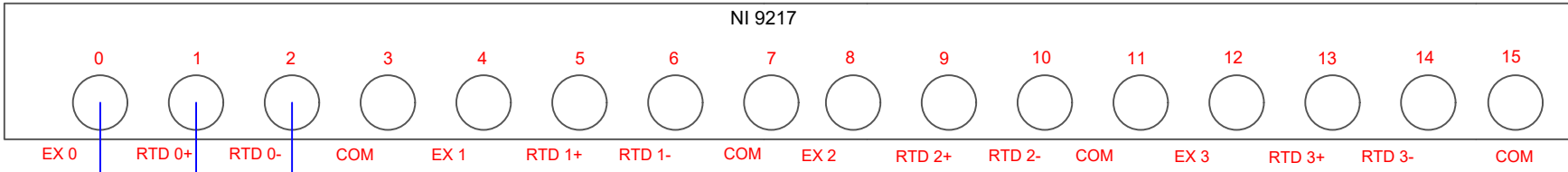


				Datum	Name		Projekt	Card wiring diagram	Sheet		
			Edit	26.3.2020	KNEDLIK					Manipulator for cold crucible	5
			Contr.	26.3.2020	KNEDLIK						
Modification	Date	Name	Norm	Contract Nr.:							

1 2 3 4 5 6 7 8 9 10 11 13 14 15 16 17 18 19 20 21 22 23 24 25 26 27 28 29 30 31 32 33

A

A



B

B

C

C

D


D

E

E

F


F

				Datum	Name		Projekt	Card wiring diagram	Sheet
		Edit	26.3.2020	KNEDLIK	Contract Nr.:				6
		Contr.	26.3.2020	KNEDLIK					
Modification	Date	Name	Norm						

1 2 3 4 5 6 7 8 9 10 11 13 14 15 16 17 18 19 20 21 22 23 24 25 26 27 28 29 30 31 32 33

## BILL OF MATERIAL

Des.	Description	Manufacture
KM1	Relay 24V (DC), 3 pole	Schneider
KM2	Relay 24V (DC), 2 pole	Schneider
KM3	Relay 24V (DC), 1 pole	Schneider
KM4	Relay 24V (DC), 1 pole	Schneider
KM5	Relay 24V (DC), 1 pole	Schneider
KM6	Relay 24V (DC), 1 pole	Schneider
KM7	Relay 24V (DC), 1 pole	Schneider
KM8	Relay 5V (DC), 1 pole	Schneider
KM9	Relay 5V (DC), 1 pole	Schneider
KM10	Relay 24V (DC), 1 pole	Schneider
KM11	Relay 24V (DC), 1 pole	Schneider
FA1	MCB 1P/6A/B	Schneider
FA2	MCB 1P/6A/B	Schneider
	Power Supply 24V (DC)	Mean Well
	Power Supply 24V (DC)	National Instruments
	Driver for 3-phase engines	Leadshine Technology
	Driver for 3-phase engines	Leadshine Technology
	Emergency button	Schneider
	Push button	Schneider
	Variable resistor	Pavan
	Socket 230V (AC)	Schneider
	Touch panel	Weintek
	Switchboard box	

				Datum	Name			Projekt		Sheet
			Edit	26.3.2020	KNEDLIK			Manipulator for cold crucible	Bill of Material	7
			Contr.	26.3.2020	KNEDLIK					
Modification	Date	Name	Norm			Contract Nr.:				